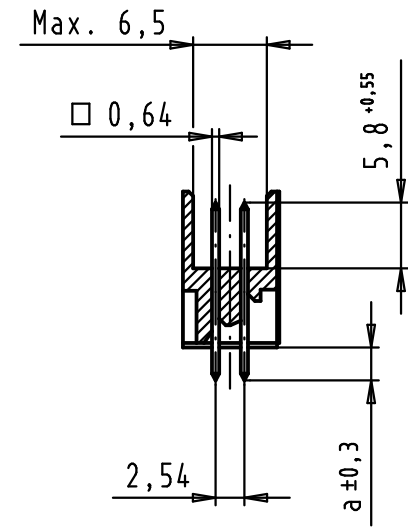
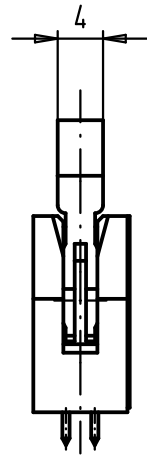
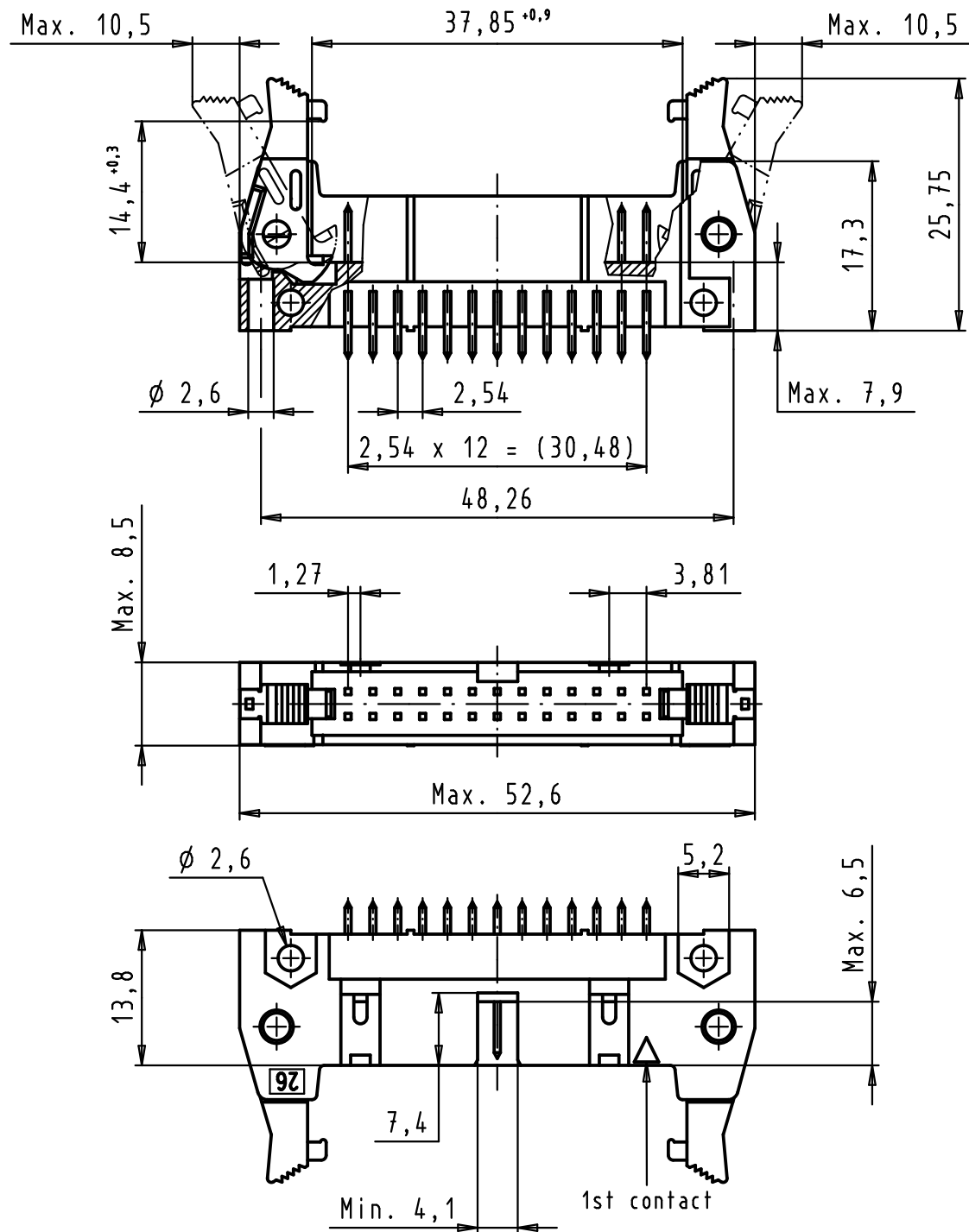
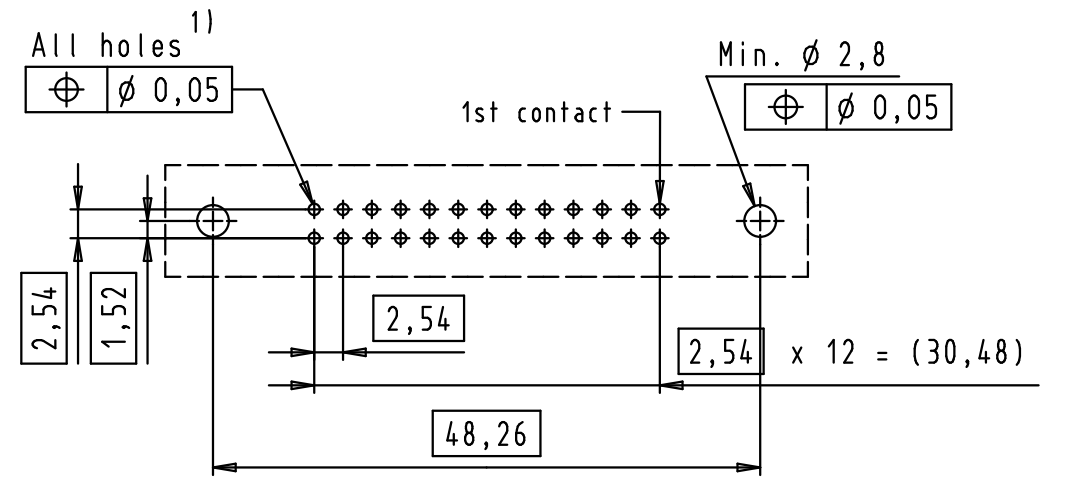


Alle Rechte vorbehalten/ All rights reserved

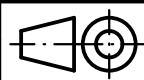



PCB layout, component side



1) Solder pins for PCB connections  $\phi 1 \pm 0,1$  according to IEC 60 326-3

09 18 526 7902 001	3	4,5	Black insulator
09 18 526 6902 001	2	4,5	Black insulator
09 18 526 5902 001	0,76 $\mu\text{m}$ Au	4,5	Black insulator
09 18 526 7904 001	3	2,9	Black insulator
09 18 526 6904 001	2	2,9	Black insulator
09 18 526 5904 001	0,76 $\mu\text{m}$ Au	2,9	Black insulator
09 18 526 7902	3	4,5	Standard insulator color
09 18 526 6902	2	4,5	Standard insulator color
09 18 526 5902	0,76 $\mu\text{m}$ Au	4,5	Standard insulator color
09 18 526 7904	3	2,9	Standard insulator color
09 18 526 6904	2	2,9	Standard insulator color
09 18 526 5904	0,76 $\mu\text{m}$ Au	2,9	Standard insulator color
Part number	Performance level	a	Index designation

36255	04/02/11	SC	Detail.	01/12/99	JB	 All Dim. in mm Orig. Size DIN A 3	SEK 18 Male Connector Standard 26 poles Straight solder pins Long locking levers	Maßstab/ Scale 1,5:1
34900	28/01/08	LP	Insp.	09/02/11	JB			
33451	30/03/06	JMDR	Stand.					
27931	15/06/00	JB	HARTING EURL F-95972 Paris				TB 09 18 526 X90X	Blatt/ Page 1 / 2
26554			Mod.	Dat.	Name			